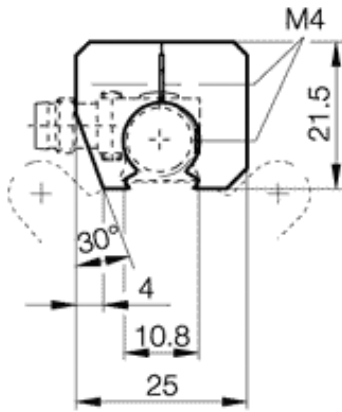


PX0667



Accessories: Mounting unit BMF 32-HW-14

Common Data

Version
Usable with

Bracket
with BMF 32M... on pneumatic
cylinder with Trapezoid rail
(Bosch)

Mechanical Data

Measurements WxHxD or Dia x D
Material
Weight
Mounting

25x21.5x10
Aluminium, anodized
approx. 25
clamped with threaded pin

Datasheet number::

Definitions see general catalog.
If not otherwise noted, ratings according to
IEC 60947-5-2 (DIN EN60947-5-2)

Balluff GmbH
Schurwaldstrasse 9
73765 Neuhausen a.d.F.
Phone (07158) 173-0 Fax (07158) 5010

Datenblatt by CD-ROM - 04/2007

BALLUFF
sensors worldwide